



CHEMICAL PUMP & FILTER
WITH ACID-ALKALI RESISTANCE
EXPERT IN R&D AND MANUFACTURING

Precision Filter

Model : QH

Guangdong Qihua Industry Equipment Co.,Ltd

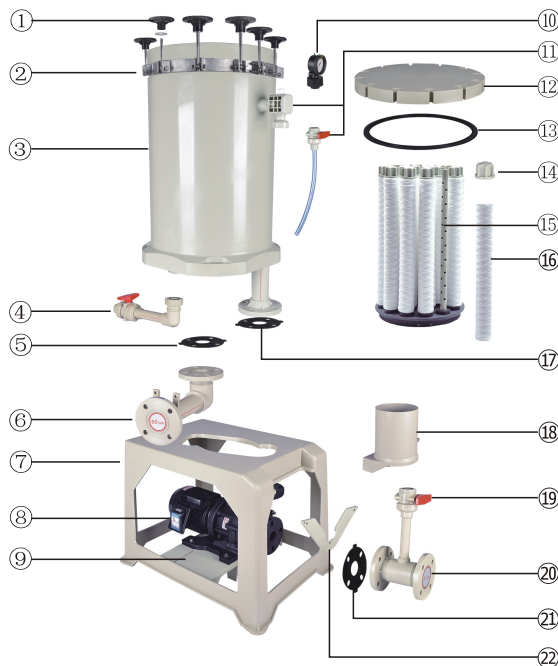


Workshop & Warehouse

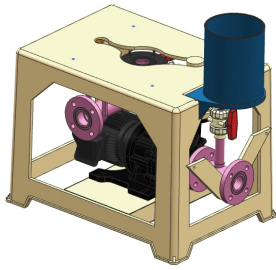
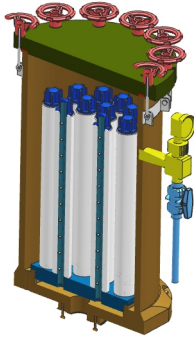


Precision filter machine

【QH series】



- | | |
|-------------------------|-------------------------|
| ① Handle of upper cover | ⑬ Upper cover packing |
| ② Retaining ring | ⑭ Filter cartridge nut |
| ③ Filter body | ⑮ Filter cartridge tube |
| ④ Cleaning outlet | ⑯ Filter cartridge |
| ⑤ Filter outlet filter | ⑰ Filter inlet packing |
| ⑥ Outlet | ⑱ Mixing tank |
| ⑦ Frame | ⑲ Switch of mixing tank |
| ⑧ Pump | ⑳ Inlet tee |
| ⑨ Pump stand | ㉑ Inlet packing |
| ⑩ Pressure gauge | ㉒ V-shaped board |
| ⑪ Exhaust valve | |
| ⑫ Upper cover | |



Product characteristics :

1. The main body of the filter adopts PP material injection molding, which has the characteristics of high temperature resistance, acid and alkali resistance, etc.
2. Safety switch device: when the motor is overloaded or in single-phase operation, the safety switch will cut off the power supply automatically.
3. Parts are 100% interchangeable and easy to replace.
4. High precision filtration, with wide area, high efficiency, simple operation and easy cleaning.
5. The same model can be replaced with different filter materials for use: pressure plate type, lock cap type, carambola type, filter paper type and filter bag type. It can also be equipped with self-cleaning circulation circuit and activated carbon treatment device, which is easy to operate.
6. Different filter materials can be changed according to the use conditions of customers.

Product superiority :

1. The handle of the upper cover is injection molded by a round reinforced stainless steel screw and plastic;
2. The upper cover is made of pure PP plate with thickness of 50mm, which is resistant to high temperature, high pressure and strong acid and alkali;
3. The filter body is made of pure PP plate with thickness of 22mm by extrusion molding, which is resistant to high temperature, high pressure, strong acid and alkali;
4. The filter stand is made of FRPP material with integrated injection molding and is resistant to strong acid and alkali;
5. Multiple selection of filter materials;
6. High filtering accuracy (up to 0.5um);
7. The air discharge speed of the filter body is fast and there is no air leakage;
8. Large filtration capacity, low power and large capacity.

型号说明 :

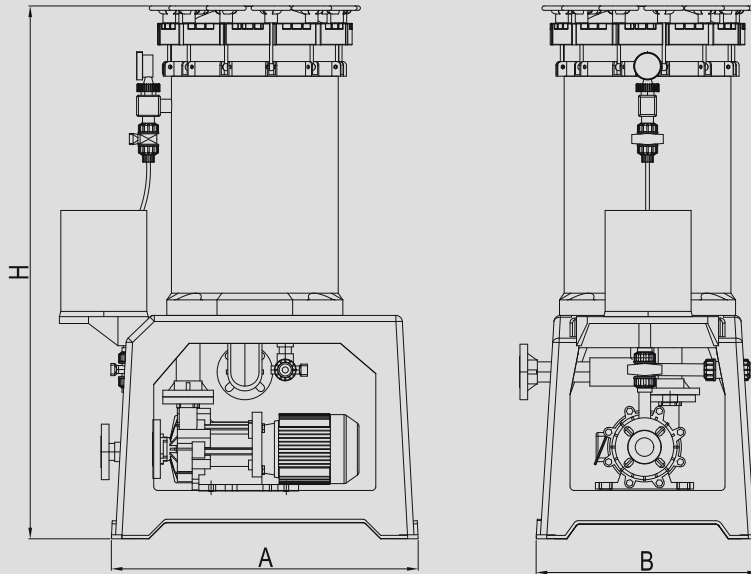
QH - 2006 - 1 - F - F - E - C - W - G - A

① ② ③ ④ ⑤ ⑥ ⑦ ⑧ ⑨ ⑩

- ① Model No.: QH
- ② 2006: number of filter cartridges 20" x 6 pieces; 3018: number of filter cartridges 30" x 18 pieces
- ③ Pumping horsepower: 1-1HP ; 2-2HP ; 3-3HP ; 5-5HP
- ④ Material of filter body: F-PP ; P-PVDF
- ⑤ U: Union-type inlet and outlet F: Flange-type inlet and outlet
- ⑥ O-Ring: E-EPDM, V-VITON
- ⑦ C: pressure plate type; B: lock cap type; K: carambola type; P: paper filter type; U: bag filter type
- ⑧ W: installation of activated carbon device
O: non-installation of activated carbon device
- ⑨ G: the inlet and outlet are national standards; J: the inlet and outlet are Japanese standards
- ⑩ A: magnetic pump; B: self-priming pump



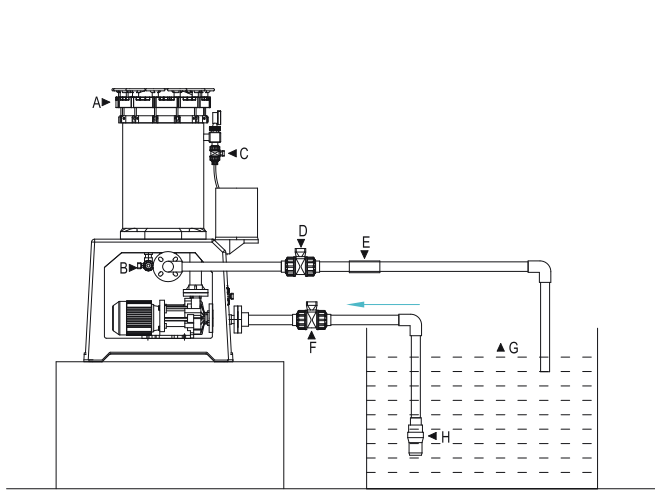
Size specification



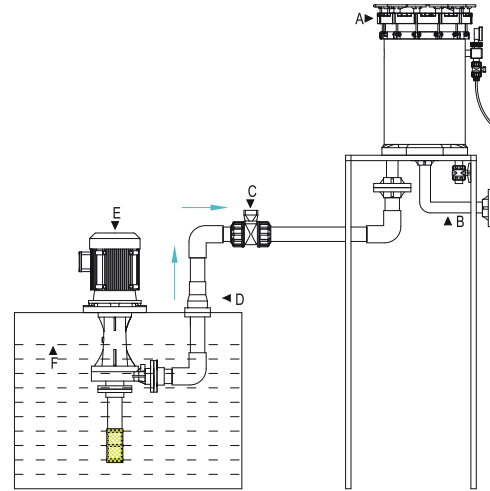
Item / model		QH-1001	QH-2001	QH-2004	QH-2006-1	QH-2008-1
Electroplating tank (t)		0.2	0.4	0.8	1-2	1-2
Filtration capacity (L/min)		15	30	80	150	180
Material of filter body		PP	PP	PP	PP	PP
Number of filter cartridge (size * quantity)		10 "x1	20 "x1	20 "x4	20 "x6	20 "x8
Practical temperature (0°C) below		70	70	70	70	70
Horsepower		45W	65W	260W	0.75KW	0.75KW
Frame size (mm)	Length (A)	520	520	620	760	760
	Width (B)	310	310	385	450	450
Total height (mm)		790	1015	1080	1420	1420
Body weight (KG)		16	18	31	75	82
Outlet and inlet diameter		3/4 "	3/4 "	1 "	1-1/2 "	1-1/2 "

Item / model		QH-2008-2	QH-2012-2	QH-2018-3	QH-3018-5
Electroplating tank (t)		1.5-3	2.5-4	4-6.5	6.5-7.5
Filtration capacity (L/min)		220	250	330	500
Material of filter body		PP	PP	PP	PP
Number of filter cartridge (size * quantity)		20 "x8	20 "x12	20 "x18	30 "x18
Practical temperature (0°C) below		70	70	70	70
Horsepower		1.5KW	1.5KW	2.2KW	3.75KW
Frame size (mm)	Length (A)	760	800	800	800
	Width (B)	450	580	580	580
Total height (mm)		1420	1420	1420	1760
Body weight (KG)		86	118	118	128
Outlet and inlet diameter		1-1/2 "	1.5 "	2 "	2 "

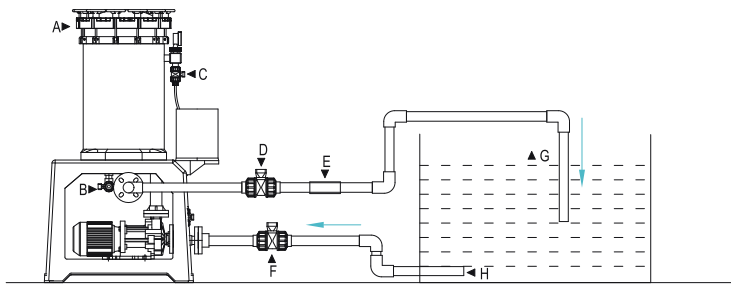
Installation diagram



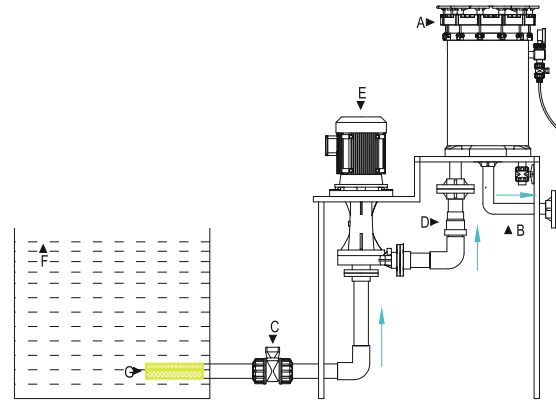
- A. Filter
- B. Cleaning discharge
- C. Exhaust valve
- D. Outlet dual-union ball valve
- E. Visual stream
- F. Inlet dual-union ball valve
- G. Highest wave surface
- H. Bottom valve



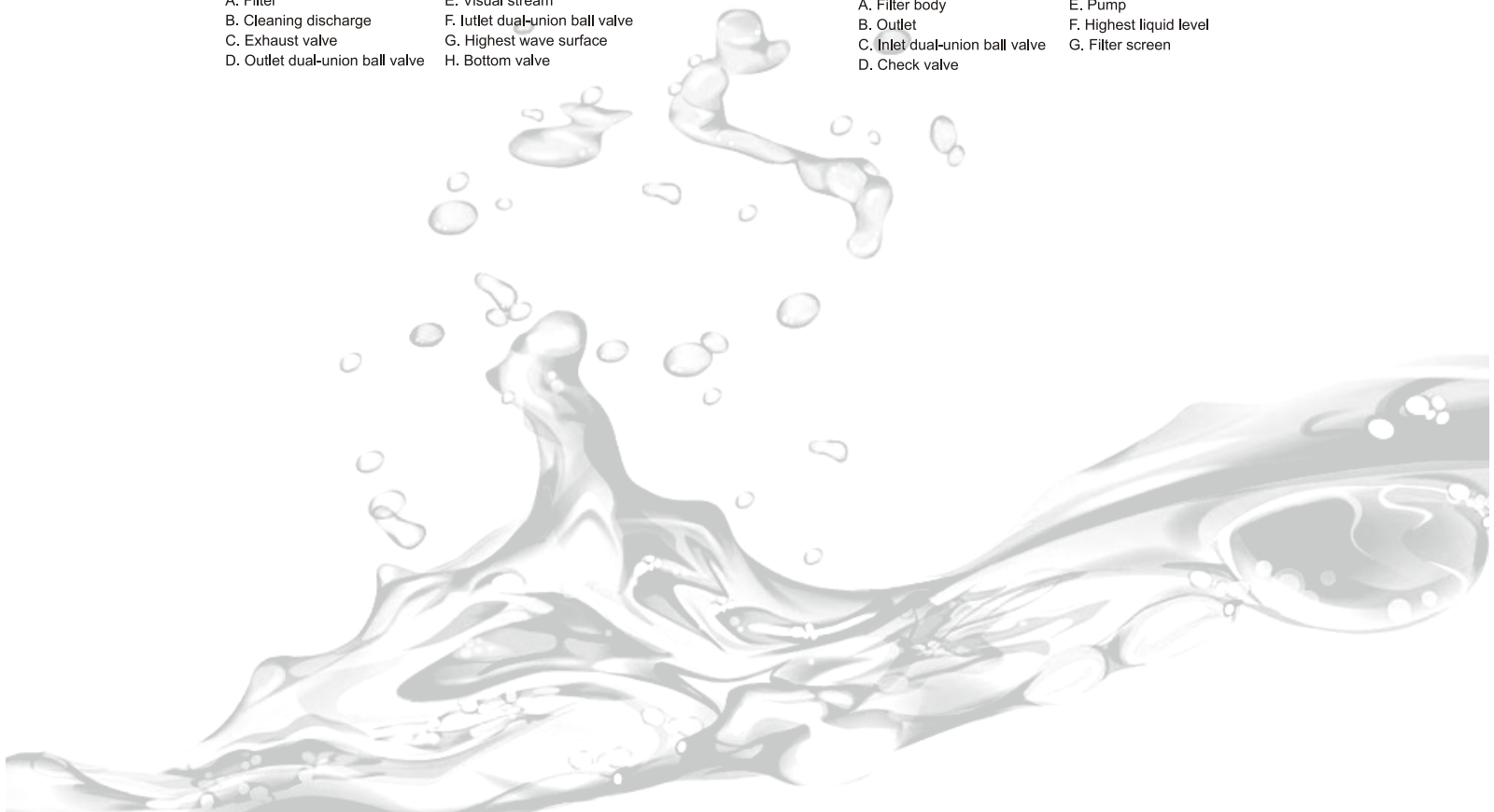
- A. Filter body
- B. Outlet
- C. Inlet dual-union ball valve
- D. Check valve
- E. Pump
- F. Highest liquid level
- G. Filter screen



- A. Filter
- B. Cleaning discharge
- C. Exhaust valve
- D. Outlet dual-union ball valve
- E. Visual stream
- F. Inlet dual-union ball valve
- G. Highest wave surface
- H. Bottom valve



- A. Filter body
- B. Outlet
- C. Inlet dual-union ball valve
- D. Check valve
- E. Pump
- F. Highest liquid level
- G. Filter screen



1. High cost performance:

Independent production, stable quality and controllable cost.

2. Excellent product performance:

Corrosion resistance, idling resistance, no leakage, low noise, high efficiency, surface corrosion resistance, durable.

3. Advanced product technology:

Cooperate with colleges and universities to carry out production, learning and research activities, master cutting-edge technology, and constantly make breakthroughs in the direction of low energy consumption and high efficiency. At present, the unique technology includes: 4P motor magnetic pump addresses the problem of rapid temperature rise of liquid medicine, and intelligent monitoring addresses the problem of idling.

4. Continuous upgrading of materials:

Imported CFRETFE material is resistant to strong acid, strong alkali and high temperature.

5. Rich product categories:

It can be upgraded to replace all kinds of old equipment.

6. Three to five year extended warranty:

Make customers free from worry and labor cost.

7. Professional and efficient service:

Before sales, a strong technical team can help customers select models accurately and reduce waste; after sales, tailor training programs for customers to reduce human losses; 4-hour quick response and efficient service!

8. Strong qualification:

Patented technology, CE, SGS quality certification of European Union, government designated supplier

9. Flexible cooperation mode:

Welcome OEM customization and regional agents.

10. Unique family culture:

Stable and happy team, long-term and reliable cooperation.

**Why
choose
Qihua?**



The enterprise has been engaged in independent research and development since 2012. At present, it has possessed ten utility model patents, one appearance patent and two CE certificates. In addition, it is applying for three utility model patents and two invention patents, and plans to apply for more than 20 kinds of patents.



PART OF OUR SUPPLIERS

Your contribution is indispensable to the high quality products of Qeehwa



PART OF OUR CUSTOMERS

Think what the customer thinks, and be grateful to every customer



Head office in South China

Guangdong Qihua Industry Equipment Co., Ltd
 No. 8, Chenwu East Road, Houjie Town, Dongguan City, Guangdong Province
 Tel: +86 400-8558-745 +86 769 8558 7455 Fax: +86 769-8558 6455
 Chinese website: <https://www.qeehwa-pump.com> English website: <https://www.qeehuapup.com> Vietnamese website: <https://www.qeehwa.com>