



CHEMICAL PUMP & FILTER
WITH ACID-ALKALI RESISTANCE
EXPERT IN R&D AND MANUFACTURING

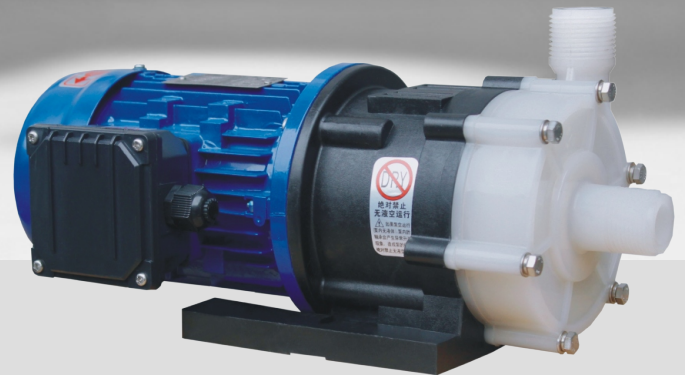
Magnetic Pump

Model : MD



Workshop & Warehouse





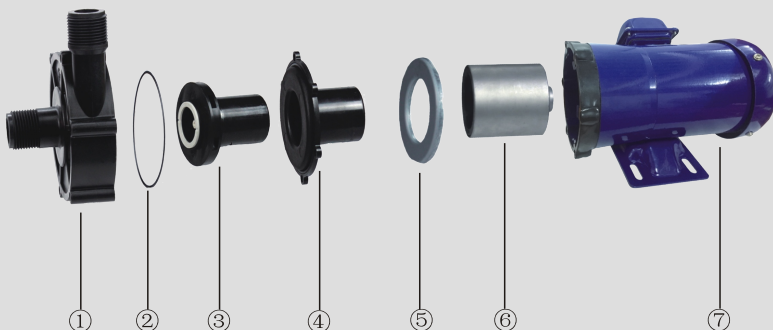
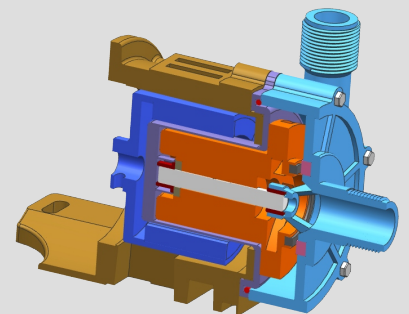
Magnetic pump 【MD series】

Product characteristic

1. Magnetic drive, adopts the non-shaft-seal design, complete leakage proof;
2. Equipped with anti-idling device;
3. It is suitable for the circulation transportation of various chemical solution;
4. The applicable temperature shall be determined according to different chemical properties: GFRPP - below 80 °C, CFRPP - below 80 °C, PVDF - below 100 °C, CFRETFE - below 150 °C.

Product superiority

1. A variety of connection modes of front cover inlet and outlet are available;
2. Special sealing O-ring brings excellent sealing effect;
3. Impeller deflection is lower than 0.2mm;
4. Passive magnets and plastic shells are injection molded at one time to ensure that there is no penetration forever.
5. The shaft core is made of 99% alumina and SSIC material;
6. The connection between the motor and the pump head is a plastic injection molding integrated structure, which can prevent the corrosion of the connection caused by the leakage of acid and alkali gas and liquid;
7. The surface of drive magnet adopts resin paint baking, with better corrosion resistance.
After dynamic balance test, the vibration of drive magnet is lower than 2.0mm/s;
8. The motor adopts international brand, with stable performance and ultra-quiet operation.



- ① Front cover
- ② Seal O-ring of front and rear cover
- ③ Impeller assembly
- ④ Rear cover
- ⑤ Rear cover back plate
- ⑥ Drive magnet
- ⑦ Motor

Decomposition diagram of integrated machine



Decomposition diagram of split machine

- ① Front cover
- ② Seal O-ring of front and rear cover
- ③ Impeller assembly
- ④ Rear cover
- ⑤ Connecting bracket
- ⑥ Drive magnet
- ⑦ Motor

Model description

MD- F-25-8-S-A-V-5-V38

- ①
- ②
- ③
- ④
- ⑤
- ⑥
- ⑦
- ⑧
- ⑨

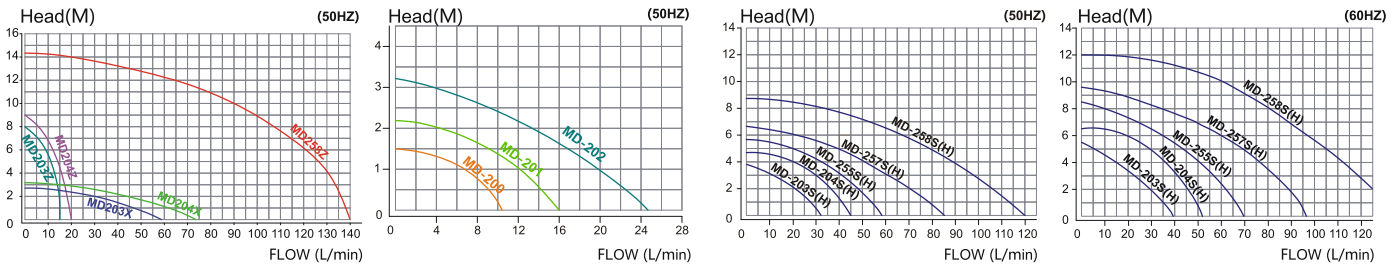
- ① Model No.: MD
- ② Pump material: F-GFRPP C-CFRPP P-PVDF E-CFRETFE
- ③ Inlet and outlet diameter: 20-3/4" 25-1"
- ④ Horsepower: 0-6W; 1-10W; 2-20W; 3-45W; 4-65W; 5-90W; 7-180W;8-260W
- ⑤ Connection: S- screw; H- hose
- ⑥ Pump shaft material: A- ceramic; S- SSIC
- ⑦ O-Ring: E-EPDM; V-VITON(FKM)
- ⑧ Frequency: 5-50HZ; 6-60HZ
- ⑨ Voltage: V11-10/110V; V22-10/220V; V38-30/220V/380V;V41-30/280V/415V

Product specification

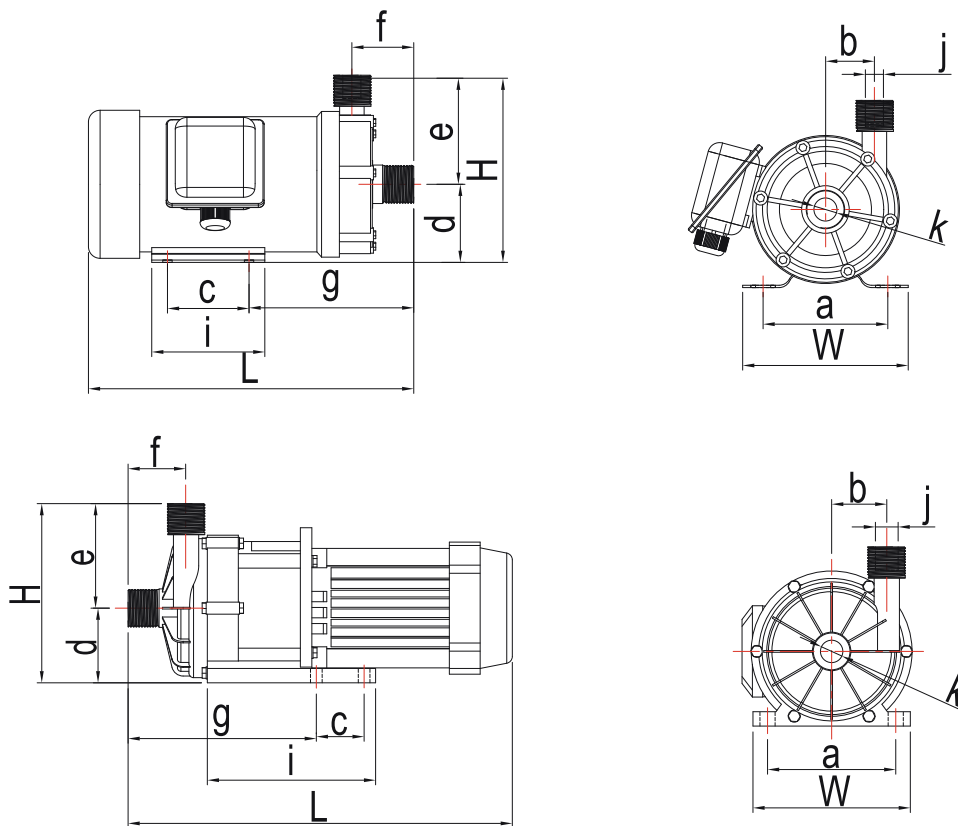
Model	Hose		Screw		Max.Capacity (L/min)		Max.Head (m)		Specific gravity	Motor		Weight (kg)
	Inlet (mm)	Outlet (mm)	Inlet	Outlet	50HZ	60HZ	50HZ	60HZ		Power (W)	Voltage (V)	
MD-200	14	14	/	/	11	12	1.5	2.1	< 1.1	6	220	0.87
MD-201	16	16	G ³ / ₄	G ³ / ₄	16	19	2.4	3.4	< 1.1	10	220	1.53
MD-202	18	18	G ³ / ₄	G ³ / ₄	27	31	3.1	4.3	< 1.1	20	220	2.1
MD-203	20	20	G ³ / ₄	G ³ / ₄	32	38	3.8	5.4	< 1.1	45	220	3.4
MD-203Z	17	17	G ³ / ₄	G ³ / ₄	15	17	8	11	< 1.1	45	220	3.4
MD-203X	26	26	G1	G1	62	72	2.9	4.1	< 1.1	45	220	3.4
MD-204	20	20	G ³ / ₄	G ³ / ₄	45	52	4.6	6.5	< 1.1	65	220	4.3
MD-204Z	20	20	G ³ / ₄	G ³ / ₄	22	27	10	13.5	< 1.1	65	220	4.3
MD-204X	26	26	G1	G1	75	85	3.3	4.7	< 1.1	65	220	4.3
MD-255	26	26	G1	G1	60	70	5.6	8.2	< 1.2	90	220/380	5.6
MD-257	26	26	G1	G1	86	97	6.7	9.7	< 1.3	180	220/380	5.5
MD-258	26	26	G1	G1	120	135	8.6	11.9	< 1.3	260	220/380	6.8
MD-258Z	26	26	G1	G1	100	100	14.5	16	< 1.3	260	220/380	6.8

Performance curve

MD203–MD258



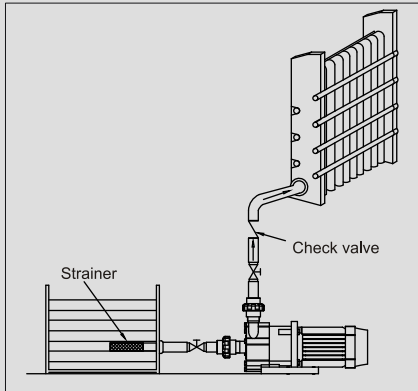
Size specification



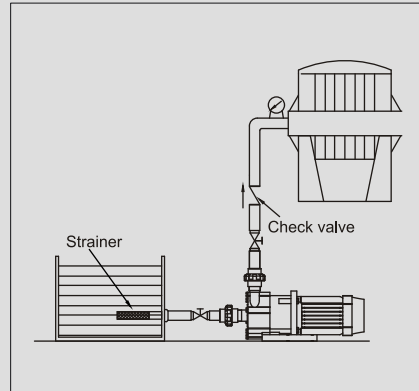
Model	L	H	W	a	b	c	d	e	f	i	g	j	K
MD-200	129	85	74	60	17	/	38.5	46.5	31	30	/	/	/
MD-201	197	99	87	68	23	46.5	45	54	38	68	97	/	/
MD-202	226.5	116.5	87	68	28.5	54	56	60.5	38	73	115	/	/
MD-203	266	129	122	100	31	40	60	69	46	64	162	Ø14.0	Ø15.5
MD-204	266	129	122	100	31	40	60	69	46	64	162	Ø14.0	Ø15.5
MD-255	276	154	142	110	43	70	64	90	51	97	138	Ø16	Ø20
MD-257	303	155	142	110	48	70	64	91	53.5	97	137	Ø16	Ø20
MD-258	338	173	155	110	50	70	77	96	61	97	157	Ø19.5	Ø21
MD-257(split machine)	333	156	136	105	43	40	66	90	51	148	200.5	Ø16	Ø20
MD-258(split machine)	370	168	150	106	45	70	68.5	99.5	62.5	155	147.5	Ø19.5	Ø21

Installation diagram

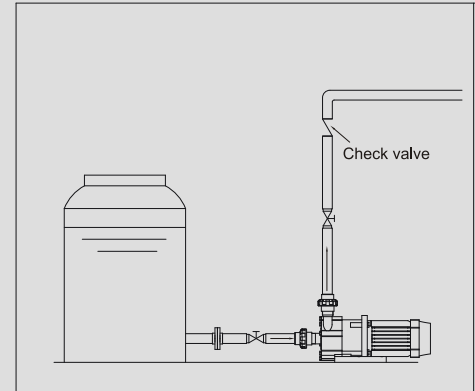
Used in heat exchanger



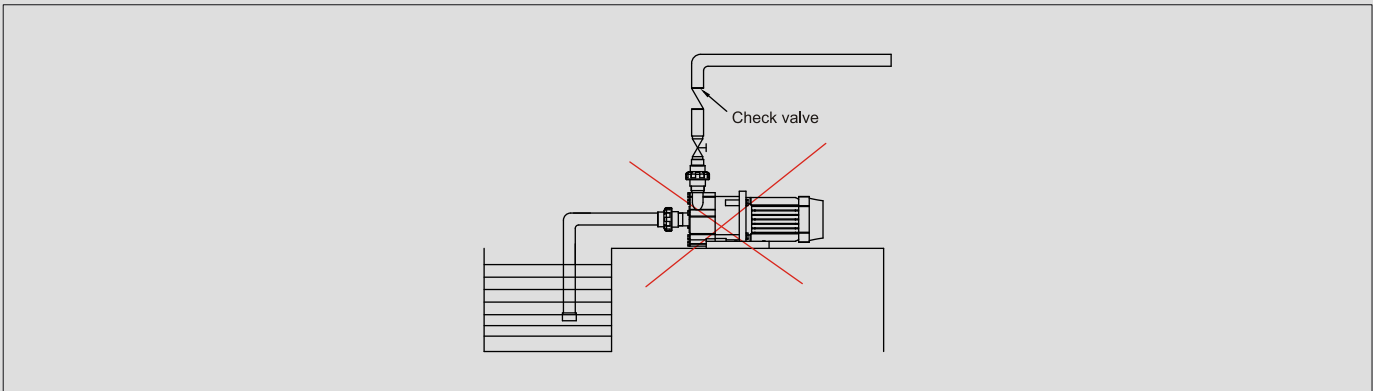
Used in reaction tank or filter compressor



Installed outside the barrel



Warning: incorrect use



Precautions for safe operation

1. Safety warning

- ① Running without cutting off the power will cause electric shock!
- ② Do not start the pump without connecting the ground wire and leakage protector!
- ③ Electrician operation should be carried out by professional personnel!
- ④ When operating the pump, please wear protective equipment to prevent serious injury caused by chemical solution!
- ⑤ Operations related to toxic liquids may cause poisoning!
- ⑥ Use the pump in strict accordance with the instructions and scope of use!
- ⑦ During operation, the surface temperature of motor and pump is very high, do not touch directly!
- ⑧ It is forbidden to transform the pump without permission, otherwise serious accidents will be caused. If the pump is modified without permission or in accordance with the operating instructions, the company will not bear any loss caused by the user!
- ⑨ There is a strong magnet in the magnetic drive pump. Its strong magnetic field will cause obvious damage to the person wearing the electronic device (i.e. electronic pacemaker, etc.)!

2. Important note!

- ① No idling of the pump. The idling of the pump can make the parts inside the pump heat up by friction, which will damage the pump. Pump operation with suction valve fully closed is also considered as idling.
- ② In the process of operation, when dangerous signals and abnormal conditions are found, the operation shall be terminated immediately, and it shall be started after the exception is eliminated.
- ③ The operation and use of the pump must be carried out by qualified operators.
- ④ The pump is only allowed to be used under the specified voltage, otherwise the pump will be damaged or fire will be caused.
- ⑤ The use place of the pump shall be equipped with protective measures to prevent liquid splashing or leakage.
- ⑥ Operations related to toxic liquids may cause poisoning, so it is necessary to ensure adequate ventilation at the operation site.
- ⑦ Do not scrape, damage, squeeze or stretch the cable with force. The use of damaged cables is likely to cause fire or electric shock.
- ⑧ The covered pump is easy to cause fire or mechanical failure due to internal heat accumulation during operation.
- ⑨ When a pump is under maintenance, pay attention to avoid other operators turning on the power supply switch due to mistakes. It is better to place a warning sign beside the power supply switch to inform that the pump is under maintenance.
10. The liquid from the pump may be highly toxic and harmful chemicals, which must be drained to a special container for storage

1. High cost performance:

Independent production, stable quality and controllable cost.

2. Excellent product performance:

Corrosion resistance, idling resistance, no leakage, low noise, high efficiency, surface corrosion resistance, durable.

3. Advanced product technology:

Cooperate with colleges and universities to carry out production, learning and research activities, master cutting-edge technology, and constantly make breakthroughs in the direction of low energy consumption and high efficiency. At present, the unique technology includes: 4P motor magnetic pump addresses the problem of rapid temperature rise of liquid medicine, and intelligent monitoring addresses the problem of idling.

4. Continuous upgrading of materials:

Imported CFRETFE material is resistant to strong acid, strong alkali and high temperature.

5. Rich product categories:

It can be upgraded to replace all kinds of old equipment.

6. Three to five year extended warranty:

Make customers free from worry and labor cost.

7. Professional and efficient service:

Before sales, a strong technical team can help customers select models accurately and reduce waste; after sales, tailor training programs for customers to reduce human losses; 4-hour quick response and efficient service!

8. Strong qualification:

Patented technology, CE, SGS quality certification of European Union, government designated supplier

9. Flexible cooperation mode:

Welcome OEM customization and regional agents.

10. Unique family culture:

Stable and happy team, long-term and reliable cooperation.

**Why
choose
Qihua?**



The enterprise has been engaged in independent research and development since 2012. At present, it has possessed ten utility model patents, one appearance patent and two CE certificates. In addition, it is applying for three utility model patents and two invention patents, and plans to apply for more than 20 kinds of patents.



PART OF OUR SUPPLIERS

Your contribution is indispensable to the high quality products of Qeehuan



PART OF OUR CUSTOMERS

Think what the customer thinks, and be grateful to every customer



Head office in South China

Guangdong Qihua Industry Equipment Co., Ltd

No. 8, Chenwu East Road, Houjie Town, Dongguan City, Guangdong Province

Tel: +86 400-8558-745 +86 769 8558 7455 Fax: +86 769-8558 6455

Chinese website: <https://www.qeehua-pump.com> English website: <https://www.qeehuapup.com> Vietnamese website: <https://www.qeehua.com>